

# Stepper Rotation Stage

Stepper Rotation Stage is based on a simple and effective design that matches compactness and performances.

2 phase stepper motor with zero play Harmonic Drive gearbox and an accurate bearing are encapsulated in a solid aluminum body with integrated contactless home sensor.

Two sizes are available and also two gear ratio; optional accessories allow an easy configuration for pan-tilt gimbal design. On request we can apply an external encoder for Closed loop when higher resolution and repeatability are required.

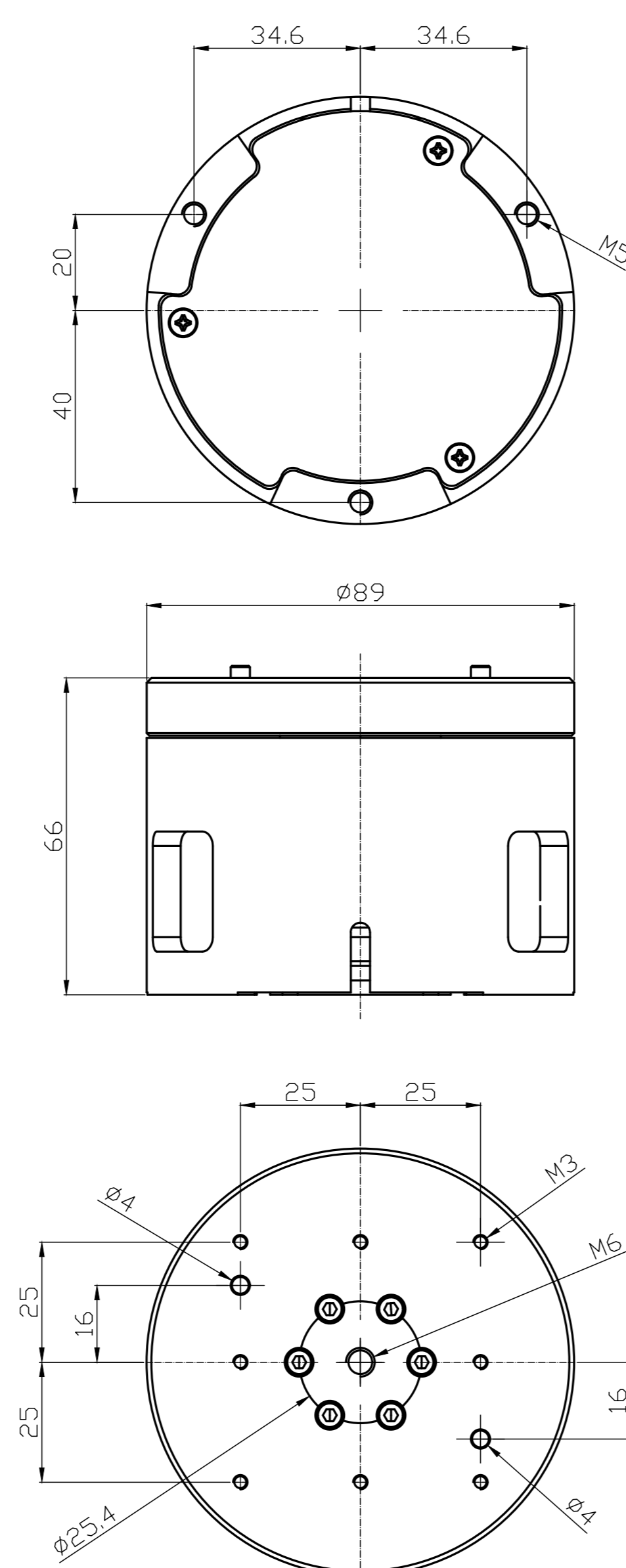
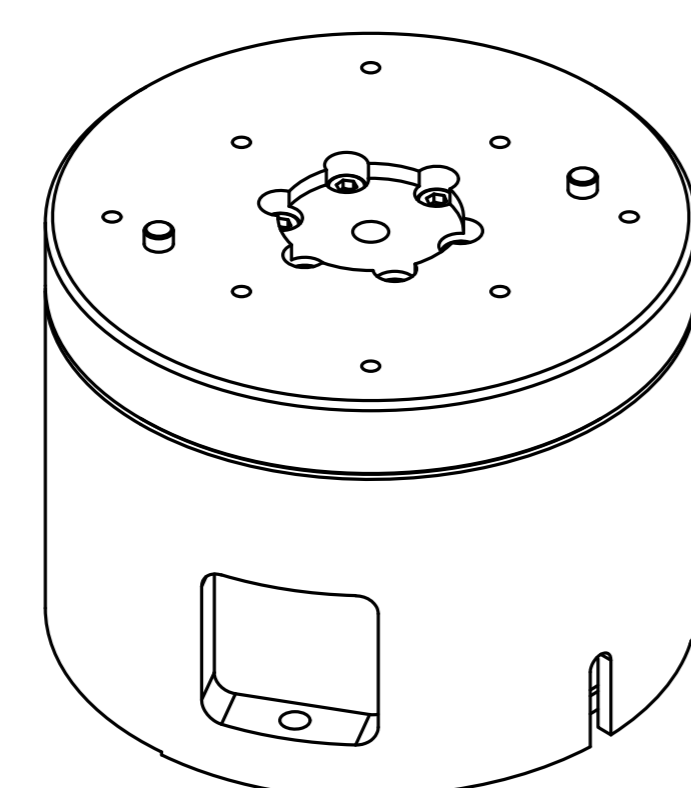


- Stepper motor with harmonic drive
- High load and moment capacity
- Compact shape
- Gimbal mount configuration

## SRS-S

Stepper Rotation Stage Small size

Model	SRS-S-50	SRS-S-100
<b>Gear Ratio</b>	50:1	100:1
<b>Stroke</b>	+/-360°	+/-360°
<b>Resolution</b>	0,001°	0,001°
<b>Torque</b>	1,8Nm	2,4Nm
<b>Speed</b>	90°/s	45°/s
<b>Axial load capacity</b>	200N	200N
<b>Moment</b>	8Nm	8Nm



## SRS-M

Stepper Rotation Stage Medium size

Model	SRS-M-50	SRS-M-100
<b>Gear Ratio</b>	50:1	100:1
<b>Stroke</b>	+/-360°	+/-360°
<b>Resolution</b>	0,001°	0,001°
<b>Torque</b>	3,5Nm	5Nm
<b>Speed</b>	90°/s	45°/s
<b>Axial load capacity</b>	400N	400N
<b>Moment</b>	10Nm	10Nm

